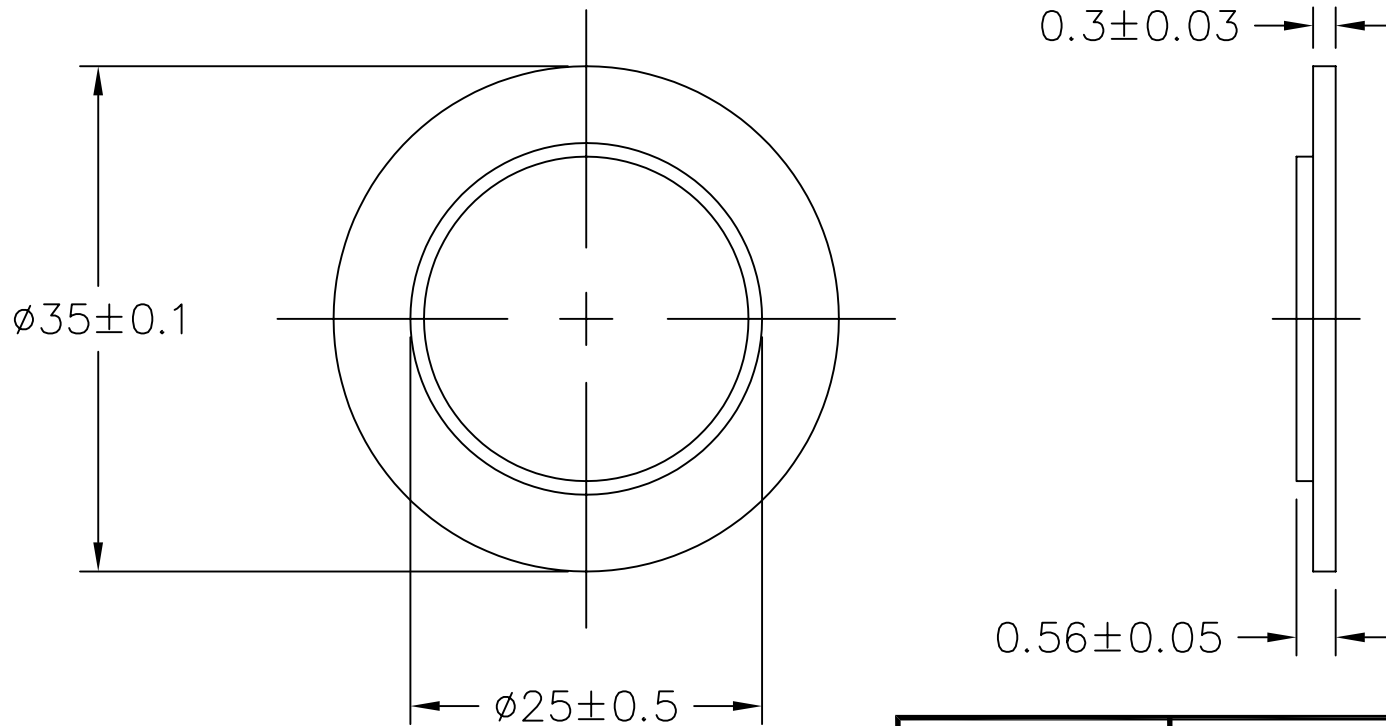


THIS DOCUMENT CONTAINS DATA PROPRIETARY TO PROJECTS UNLIMITED, INC. ANY USE OR REPRODUCTION, IN ANY FORM, WITHOUT PRIOR WRITTEN PERMISSION OF PROJECTS UNLIMITED, INC. IS PROHIBITED.
© 2003, Projects Unlimited Inc.

SPECIFICATIONS

PARAMETERS	VALUES	UNITS
RESONANT FREQUENCY	2,800±500	Hz
RESONANT IMPEDANCE (MAX)	300	Ohm
MAX INPUT VOLTAGE	30	Vp-p
CAPACITANCE @ 1KHz	30,000±30%	pF
PLATE MATERIAL	BRASS	-
OPERATING TEMPERATURE	-20 ~ +60	°C
STORAGE TEMPERATURE	-20 ~ +70	°C


REVISIONS			
LTR	DESCRIPTION	DATE	APPROVED
-	RELEASED FROM ENGINEERING	6/5/03	
A	REVISED TO NEW TEMPLATE	9/4/03	R.W.
B	REVISED SPECIFICATIONS	1/15/04	R.W.
C	REVISED DIMENSIONS	10/29/04	R.W.
D	REVISED DIMENSION SIZE AND STYLE	01/25/06	B.R.



NOTES:

- ALL DIMENSIONS ARE IN MILLIMETERS.
- SPECIFICATION SUBJECT TO CHANGE OR WITHDRAWAL WITHOUT NOTICE.

FILE NAME
AB3528B.DWG

UNLESS OTHERWISE SPECIFIED: DIMENSIONS ARE IN MILLIMETERS; TOLERANCES ARE ±0.5 AND ANGLES ARE ±3°.		 projects® unlimited Dayton, Ohio							
<table border="1"> <tr> <th>APPROVALS</th> <th>DATE</th> </tr> <tr> <td>DRAWN <i>B.C.I.</i></td> <td>6/03</td> </tr> <tr> <td>APPROVED <i>S.J.</i></td> <td>6/03</td> </tr> </table>		APPROVALS	DATE	DRAWN <i>B.C.I.</i>	6/03	APPROVED <i>S.J.</i>	6/03	PIEZO CERAMIC BENDER	
APPROVALS	DATE								
DRAWN <i>B.C.I.</i>	6/03								
APPROVED <i>S.J.</i>	6/03								
<table border="1"> <tr> <th>SIZE</th> <td>A</td> </tr> </table>		SIZE	A	DRAWING NO. AB3528B					
SIZE	A								
DO NOT SCALE DRAWING		SCALE: N.T.S.	SHEET 1 OF 1						